

X1550S

A Hexcopter Drone for Industry Application



- Carbon fiber material
- 1550mm Diagonal wheelbase
- Max Flight Time: 60mins
- Max Speed: 15m/s
- Max Transmission Distance: 3-10Km
- Max Flight Height: 2000m
- PTZ Accuracy: $\pm 0.01^\circ$
- Satellite Positioning Systems: GPS/Beidou/GLONASS

System Overview

This product is a hexcopter drone which includes the aircraft, payload, remote control. It's designed for public security, transportation, firefighting, border defense, agricultural and forestry, and energy industries. It provides a complete aerial video surveillance solution with long transmission distance, high hovering accuracy, and 30x/40x optical zoom capabilities.

Functions

Intelligent Mode

The drone supports convenient operation with multiple intelligent modes, including flight route, waypoint flight, circle (points of interest), and direction lock mode. The drone can take off automatically and enable intelligent mode, moving according to the pre-set route / waypoints and points of interest. When the mission is finished, the drone will return to base and land automatically.

Security Mechanism

There are a series of security mechanisms which ensure safe and reliable drone operation. If the drone runs out of battery or moves out of the control range, it will signal an alarm and return to base automatically, triggering landing mode. E-Fence functionality makes setting flight boundaries easy, preventing the drone from flying into restricted areas.

Quick Assembly and Disassembly

All parts of the drone, including the battery, payload, propellers, antenna, and aircraft arms can be quickly assembled and disassembled, ensuring immediate mission readiness as well as quick extraction.

A variety option of payload

The drone supports to carry multiple payloads, such as visible light PTZ camera(2MP,6MP,4K), IR thermal PTZ camera, loudspeaker, casting device, which is suitable for critical surveillance tasks such as power line inspection, forest fire detection, public event management, bridge security, and police detection.

Accurate Positioning

Three satellite positioning systems used by the drone - GPS, Beidou, and GLONASS - ensure high accuracy positioning with $\pm 1.5m$ horizontal and $\pm 0.5m$ vertical accuracy. These three positioning systems also ensure near complete coverage of the global market.

Архангельск (8182)63-90-72
Астана (7172)727-132
Астрахань (8512)99-46-04
Барнаул (3852)73-04-60
Белгород (4722)40-23-64
Брянск (4832)59-03-52
Владивосток (423)249-28-31
Волгоград (844)278-03-48
Вологда (8172)26-41-59
Воронеж (473)204-51-73
Екатеринбург (343)384-55-89

Иваново (4932)77-34-06
Ижевск (3412)26-03-58
Иркутск (395)279-98-46
Казань (843)206-01-48
Калининград (4012)72-03-81
Калуга (4842)92-23-67
Кемерово (3842)65-04-62
Киров (8332)68-02-04
Краснодар (861)203-40-90
Красноярск (391)204-63-61
Курск (4712)77-13-04
Липецк (4742)52-20-81

Магнитогорск (3519)55-03-13
Москва (495)268-04-70
Мурманск (8152)59-64-93
Набережные Челны (8552)20-53-41
Нижний Новгород (831)429-08-12
Новокузнецк (3843)20-46-81
Новосибирск (383)227-86-73
Омск (3812)21-46-40
Орел (4862)44-53-42
Оренбург (3532)37-68-04
Пенза (8412)22-31-16

Пермь (342)205-81-47
Ростов-на-Дону (863)308-18-15
Рязань (4912)46-61-64
Самара (846)206-03-16
Санкт-Петербург (812)309-46-40
Саратов (845)249-38-78
Севастополь (8692)22-31-93
Симферополь (3652)67-13-56
Смоленск (4812)29-41-54
Сочи (862)225-72-31
Ставрополь (8652)20-65-13

Сургут (3462)77-98-35
Тверь (4822)63-31-35
Томск (3822)98-41-53
Тула (4872)74-02-29
Тюмень (3452)66-21-18
Ульяновск (8422)24-23-59
Уфа (347)229-48-12
Хабаровск (4212)92-98-04
Челябинск (351)202-03-61
Череповец (8202)49-02-64
Ярославль (4852)69-52-93

Киргизия (996)312-96-26-47 Казахстан (772)734-952-31 Таджикистан (992)427-82-92-69

<http://dahua.nt-rt.ru> || dhg@nt-rt.ru

Technical Specification**Aircraft**

Diagonal Wheelbase	1550mm
Dimensions	1640(mm) x 585(mm) x 1420(mm)
Package Dimensions	942(mm) x 687(mm) x 931(mm)
Satellite Positioning Systems	GPS/Beidou/GLONASS
Net Weight	7.0kg(15.43lb)
Max. Takeoff Weight	23.6kg(52.02lb)

Flight Parameter

Flight Time	60mins@No Payload, 55mins@2MP30X
Hovering Power	1300W
Hovering Accuracy	Vertical: ±0.5m , Horizontal: ±1.5m(<Lev.3 wind)
Max. Speed	15m/s
Max. Flight Height	2000m(6561.7ft)
Max. Takeoff Altitude	5000m(16404.2ft)
Max. Ascent Speed	11m/s
Max. Descent Speed	2.5m/s
Max. Tilt Angle	20°
Wind Resistance Level	6
Max. Angular Velocity	50°/s
Operating Temperature	-20°C ~ 60°C (-4°F ~ 140°F)

Power Battery

Capacity	2*2700mAh/pcs
Battery Type	LiPo
Net Weight	2*3.3kg(7.27lb)/pcs
Operating Temperature	-20°C ~ 60°C(-4°F ~ 140°F)
Storage Temperature	-30°C ~ 65°C(-22°F ~ 149°F)

Remote Controller

4G LET	Support
Protocol	Support Onvif, SIP, RTSP and Dahua private protocol
Port	Audio In, Micro SD Card Slot
VPN	Support
Max Transmission Distance	3-10Km
Screen	7" touch screen

Battery	2S LiPo, 7800mAh
Working Time	5hours
Operating Temperature	-20°C ~ 60°C(-4°F ~ 140°F)
Storage Temperature	-30°C ~ 65°C(-22°F ~ 149°F)

Accessories

Dimensions (mm)

Included:



Remote Controller

Optional:



2MP PTZ Camera
(Optical Zoom: 40X)



4K PTZ Camera



Thermal PTZ Camera



2MP PTZ Camera
(Optical Zoom: 30X)



Thermal Hybrid
PTZ Camera



Live Broadcasting
PTZ Camera



Live Throwing
PTZ Camera



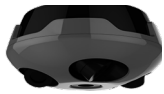
Live Throw Broadcasting
PTZ Camera



MAC Address Collection
PTZ Camera



Live Lighting PTZ Camera



3D Camera



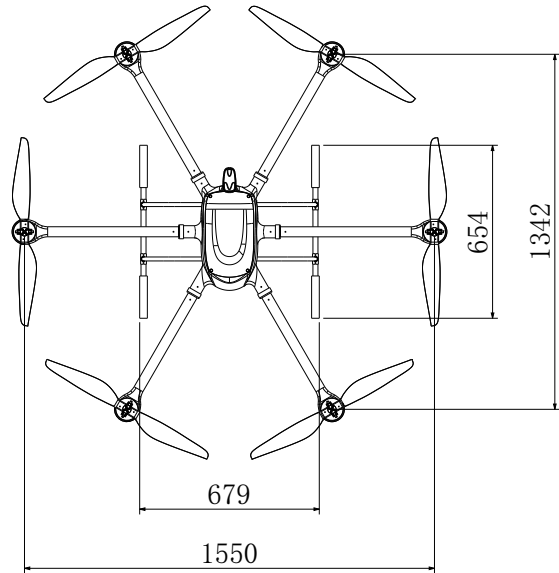
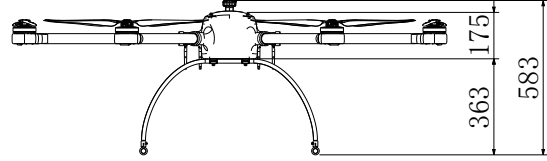
Gas Detection Device



Ground Station



4G Module for GS



X1100

A Hexcopter Drone for Industry Application



- 1100mm Diagonal Wheelbase
- Break Propeller Protection
- Max Flight Time: 41mins
- Max Speed: 22m/s
- Max Transmission Distance: 3-10km
- Max Flight Height: 1500m
- PTZ Accuracy: $\pm 0.01^\circ$
- Satellite Positioning Systems: GPS / Beidou / GLONASS

System Overview

This product is a hexcopter drone which includes the aircraft, payload, remote control, and ground station. It's designed for public security, transportation, firefighting, border defense, agricultural and forestry, and energy industries. It provides a complete aerial video surveillance solution with long transmission distance, high hovering accuracy, and 30x/40x optical zoom capabilities.

Functions

Intelligent Mode

The drone supports convenient operation with multiple intelligent modes, including flight route, waypoint flight, circle (points of interest), and direction lock mode. The drone can take off automatically and enable intelligent mode, moving according to the pre-set route / waypoints and points of interest. When the mission is finished, the drone will return to base and land automatically.

Security Mechanism

There are a series of security mechanisms which ensure safe and reliable drone operation. If the drone runs out of battery or moves out of the control range, it will signal an alarm and return to base automatically, triggering landing mode. E-Fence functionality makes setting flight boundaries easy, preventing the drone from flying into restricted areas.

Quick Assembly and Disassembly

All parts of the drone, including the battery, payload, propellers, antenna, and aircraft arms can be quickly assembled and disassembled, ensuring immediate mission readiness as well as quick extraction.

A variety option of payload

The drone supports to carry multiple payloads , such as visible light PTZ camera(2MP,6MP,4K), IR thermal PTZ camera, loudspeaker, casting device, which is suitable for critical surveillance tasks such as power line inspection, forest fire detection, public event management, bridge security, and police detection.

Accurate Positioning

Three satellite positioning systems used by the drone - GPS, Beidou, and GLONASS - ensure high accuracy positioning with $\pm 1.5m$ horizontal and $\pm 0.5m$ vertical accuracy. These three positioning systems also ensure near complete coverage of the global market.

Technical Specification**Aircraft**

Diagonal Wheelbase	1100mm
Dimensions	955(mm) x 1100(mm) x 576(mm)
Package Dimensions	450(mm) x 478(mm) x 578(mm)
Satellite Positioning Systems	GPS/Beidou/GLONASS
Obstacle Avoidance	Support
Break Propeller Protection	Support
Max. Takeoff Weight	14.5kg(31.96lb)

Flight Parameter

Max. Flight Time(No Payload)	41mins
Hovering Power	1050W
Hovering Accuracy	Vertical: ±0.5m , Horizontal: ±1.5m(<Lev.3 wind)
Max. Speed	22m/s
Max. Flight Height	1500m(4921.3ft)
Max. Takeoff Altitude	5000m(16404.2ft)
Max. Ascent Speed	13m/s
Max. Descent Speed	2m/s
Max. Tilt Angle	25°
Max. Wind Speed Resistance	14m/s
Max. Angular Velocity	100°/s
Max. Flight Time(No Payload)	41mins
Operating Temperature	-20°C ~ 60°C (-4°F ~ 140°F)

Power Battery

Capacity	27000mAh/pcs
Battery Type	LiPo
Net Weight	5.1kg(11.24lb)
Operating Temperature	-20°C ~ 60°C(-4°F ~ 140°F)
Storage Temperature	-30°C ~ 65°C(-22°F ~ 149°F)

Remote Controller

4G LET	Support
Protocol	Support Onvif, SIP, RTSP and Dahua private protocol
Port	Audio In, Micro SD Card Slot
VPN	Support
Max Transmission Distance	3-10Km
Screen	7" touch screen

Battery	2S LiPo, 7800mAh
Working Time	5hours
Operating Temperature	-20°C ~ 60°C(-4°F ~ 140°F)
Storage Temperature	-30°C ~ 65°C(-22°F ~ 149°F)

Accessories

Dimensions (mm)

Controller:



Remote Controller

Payload(Optional):



2MP PTZ Camera
(Optical Zoome:30X/40)



6MP PTZ Camera



4K PTZ Camera



Thermal PTZ Camera



Thermal Hybrid
PTZ Camera



Live Broadcasting
PTZ Camera



Live Throwing PTZ Camera



Live Throw Broadcasting
PTZ Camera



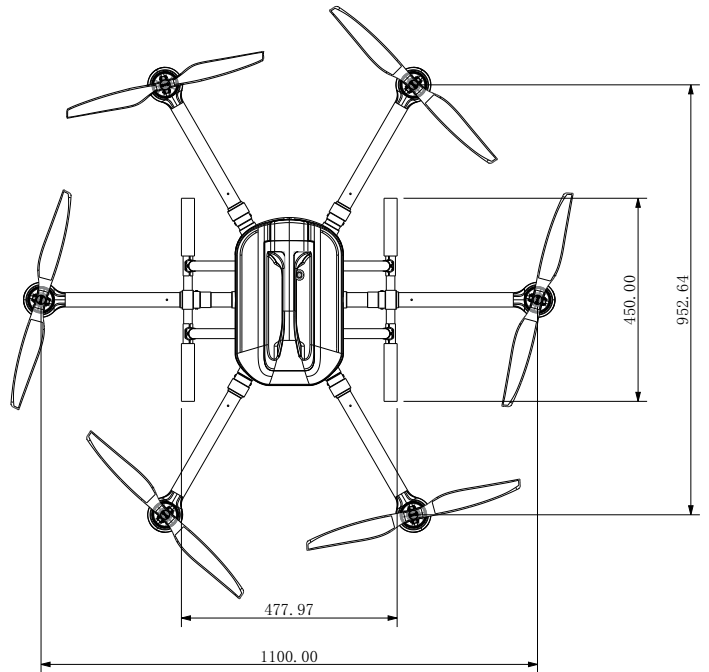
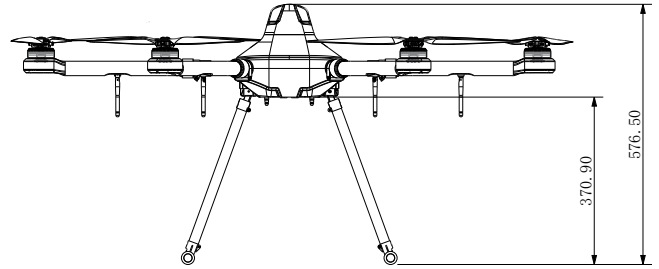
Live Lighting PTZ Camera



Gas Detection Device



Tilt Camera



X820S

A Quad-rotor Drone for Industry Application



- Carbon fiber material
- 940mm Diagonal wheelbase
- Max Flight Time: 45mins
- Max Speed: 25m/s
- Max Transmission Distance: 3-10Km
- Max Flight Height: 1500m
- PTZ Accuracy: $\pm 0.01^\circ$
- Satellite Positioning Systems: GPS / Beidou / GLONASS

System Overview

This product is a quadcopter drone which includes the aircraft, payload, remote control. It's designed for public security, transportation, firefighting, border defense, agricultural and forestry, and energy industries. It provides a complete aerial video surveillance solution with long transmission distance, high hovering accuracy, and 30x/40x optical zoom capabilities.

Functions

Intelligent Mode

The drone supports convenient operation with multiple intelligent modes, including flight route, waypoint flight, circle (points of interest), and direction lock mode. The drone can take off automatically and enable intelligent mode, moving according to the pre-set route / waypoints and points of interest. When the mission is finished, the drone will return to base and land automatically.

Security Mechanism

There are a series of security mechanisms which ensure safe and reliable drone operation. If the drone runs out of battery or moves out of the control range, it will signal an alarm and return to base automatically, triggering landing mode. E-Fence functionality makes setting flight boundaries easy, preventing the drone from flying into restricted areas.

Quick Assembly and Disassembly

All parts of the drone, including the battery, payload, propellers, antenna, and aircraft arms can be quickly assembled and disassembled, ensuring immediate mission readiness as well as quick extraction.

A variety option of payload

The drone supports to carry multiple payloads , such as visible light PTZ camera(2MP,6MP,4K), IR thermal PTZ camera, loudspeaker, casting device, which is suitable for critical surveillance tasks such as power line inspection, forest fire detection, public event management, bridge security, and police detection.

Accurate Positioning

Three satellite positioning systems used by the drone - GPS, Beidou, and GLONASS - ensure high accuracy positioning with $\pm 1.5m$ horizontal and $\pm 0.5m$ vertical accuracy. These three positioning systems also ensure near complete coverage of the global market.

Technical Specification(Aircraft)**Aircraft**

Diagonal Wheelbase	940mm
Dimensions	717(mm) x 775(mm) x 520(mm)
Package Dimensions	600(mm) x 430(mm) x 720(mm)
Satellite Positioning Systems	GPS/Beidou/GLONASS
Net Weight	3.5kg(7.71lb)
Max. Takeoff Weight	10kg(22.05lb)

Flight Parameter

Flight Time	45mins@No Payload, 33mins@2MP30X
Hovering Power	800W
Hovering Accuracy	Vertical: ±0.5m , Horizontal: ±1.5m(<Lev.3 wind)
Max. Speed	25m/s
Max. Flight Height	1500m(4921.3ft)
Max. Takeoff Altitude	5000m(16404.2ft)
Max. Ascent Speed	8m/s
Max. Descent Speed	2.5m/s
Max. Tilt Angle	20°
Wind Resistance level	6
Max. Angular Velocity	100°/s
Operating Temperature	-20°C ~ 60°C (-4°F ~ 140°F)

Power Battery

Capacity	22000mAh
Battery Type	LiPo
Net Weight	2.9kg(6.39lb)
Operating Temperature	-20°C ~ 60°C(-4°F ~ 140°F)
Storage Temperature	-30°C ~ 65°C(-22°F ~ 149°F)

Remote Controller

4G LET	Support
Protocol	Support Onvif, SIP, RTSP and Dahua private protocol
Port	Audio In, Micro SD Card Slot
VPN	Support
Max Transmission Distance	3-10Km
Screen	7" touch screen

Battery	2S LiPo, 7800mAh
Working Time	5hours
Operating Temperature	-20°C ~ 60°C(-4°F ~ 140°F)
Storage Temperature	-30°C ~ 65°C(-22°F ~ 149°F)

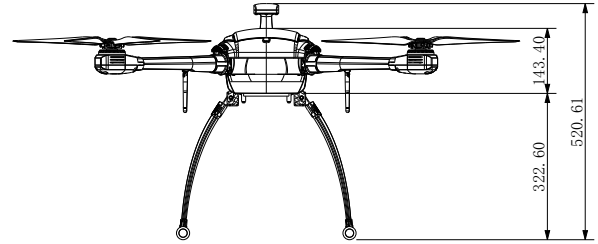
Accessories

Dimensions (mm)

Included:



Remote Controller



Optional:



2MP PTZ Camera
(Optical Zoom: 40X)



4K PTZ Camera



Thermal PTZ Camera



2MP PTZ Camera
(Optical Zoom: 30X)



Thermal Hybrid
PTZ Camera



Live Broadcasting
PTZ Camera



Live Throwing
PTZ Camera



Live Throw Broadcasting
PTZ Camera



MAC Address Collection
PTZ Camera



Live Lighting PTZ Camera



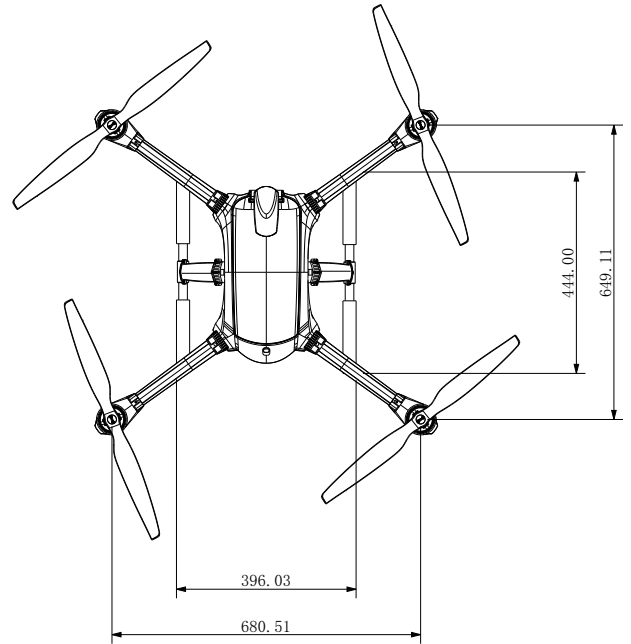
Gas Detection Device



Ground Station



4G Module for GS



X650

A Quad-rotor Drone for Industry Application



- Carbon fiber material
- 666mm Diagonal wheelbase
- Max Flight Time: 25mins
- Max Speed: 25m/s
- Max Transmission Distance: 3-5Km
- Max Flight Height: 1500m
- PTZ Accuracy: $\pm 0.01^\circ$
- Satellite Positioning Systems: GPS / Beidou / GLONASS

System Overview

This product is a quadcopter drone which includes the aircraft, payload, remote control. It's designed for public security, transportation, firefighting, border defense, agricultural and forestry, and energy industries. It provides a complete aerial video surveillance solution with long transmission distance, high hovering accuracy, and 30x optical zoom capabilities.

Functions

Intelligent Mode

The drone supports convenient operation with multiple intelligent modes, including flight route, waypoint flight, circle (points of interest), and direction lock mode. The drone can take off automatically and enable intelligent mode, moving according to the pre-set route / waypoints and points of interest. When the mission is finished, the drone will return to base and land automatically.

Security Mechanism

There are a series of security mechanisms which ensure safe and reliable drone operation. If the drone runs out of battery or moves out of the control range, it will signal an alarm and return to base automatically, triggering landing mode. E-Fence functionality makes setting flight boundaries easy, preventing the drone from flying into restricted areas.

Quick Assembly and Disassembly

All parts of the drone, including the battery, payload, propellers, antenna, and aircraft arms can be quickly assembled and disassembled, ensuring immediate mission readiness as well as quick extraction.

Accurate Positioning

Three satellite positioning systems used by the drone - GPS, Beidou, and GLONASS - ensure high accuracy positioning with $\pm 1.5\text{m}$ horizontal and $\pm 0.5\text{m}$ vertical accuracy. These three positioning systems also ensure near complete coverage of the global market.

Technical Specification(Aircraft)

Aircraft

Diagonal Wheelbase	666mm
Dimensions	655(mm) x 480(mm) x 670(mm)
Package Dimensions	632(mm) x 512(mm) x 771(mm)
Satellite Positioning Systems	GPS/Beidou/GLONASS
Net Weight	2.6kg(5.73lb)
Max. Takeoff Weight	8.2kg(18.07b)

Flight Parameter

Max. Flight Time(No Payload)	25mins
Hovering Accuracy	Vertical: ±0.5m , Horizontal: ±1.5m(<Lev.3 wind)
Max. Speed	25m/s
Max. Flight Height	1000m(3280.8ft)
Max. Takeoff Altitude	5000m(16404.2ft)
Max. Ascent Speed	8m/s
Max. Descent Speed	2.5m/s
Max. Angular Velocity	100°/s
Operating Temperature	-20°C ~ 60°C (-4°F ~ 140°F)

Power Battery

Capacity	12000mAh
Battery Type	LiPo
Net Weight	1.7kg(3.74lb)
Operating Temperature	-20°C ~ 60°C(-4°F ~ 140°F)
Storage Temperature	-30°C ~ 65°C(-22°F ~ 149°F)

Remote Controller

4G LET	Support
Protocol	Support Onvif, SIP, RTSP and Dahua private protocol
Port	Audio In, Micro SD Card Slot
VPN	Support
Max Transmission Distance	3-5Km
Screen	7" touch screen
Battery	2S LiPo, 7800mAh
Working Time	5hours
Operating Temperature	-20°C ~ 60°C(-4°F ~ 140°F)
Storage Temperature	-30°C ~ 65°C(-22°F ~ 149°F)

Accessories

Controller:



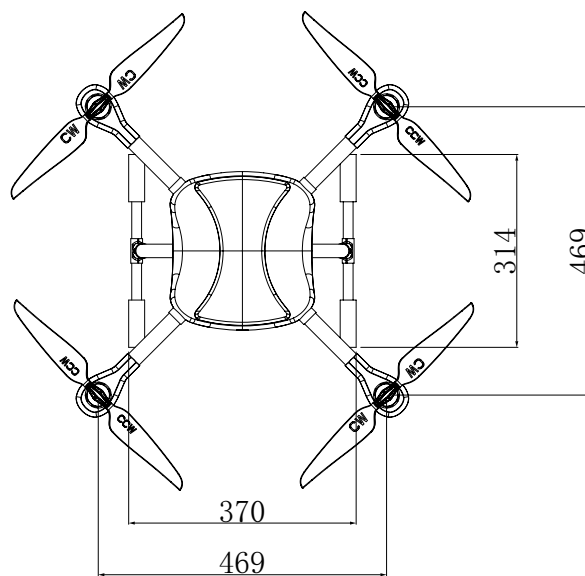
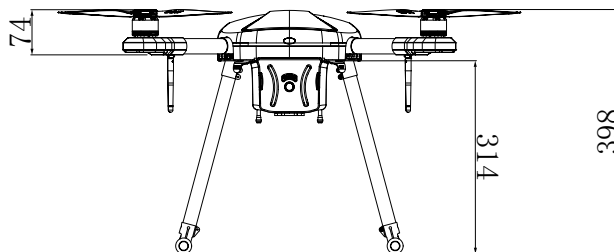
Remote Controller

Payload:



2MP PTZ Camera
(Optical Zoome:30x)

Dimensions (mm)



Архангельск (8182)63-90-72
Астана (7172)727-132
Астрахань (8512)99-46-04
Барнаул (3852)73-04-60
Белгород (4722)40-23-64
Брянск (4832)59-03-52
Владивосток (423)249-28-31
Волгоград (844)278-03-48
Вологда (8172)26-41-59
Воронеж (473)204-51-73
Екатеринбург (343)384-55-89

Иваново (4932)77-34-06
Ижевск (3412)26-03-58
Иркутск (395)279-98-46
Казань (843)206-01-48
Калининград (4012)72-03-81
Калуга (4842)92-23-67
Кемерово (3842)65-04-62
Киров (8332)68-02-04
Краснодар (861)203-40-90
Красноярск (391)204-63-61
Курск (4712)77-13-04
Липецк (4742)52-20-81

Магнитогорск (3519)55-03-13
Москва (495)268-04-70
Мурманск (8152)59-64-93
Набережные Челны (8552)20-53-41
Нижний Новгород (831)429-08-12
Новокузнецк (3843)20-46-81
Новосибирск (383)227-86-73
Омск (3812)21-46-40
Орел (4862)44-53-42
Оренбург (3532)37-68-04
Пенза (8412)22-31-16

Пермь (342)205-81-47
Ростов-на-Дону (863)308-18-15
Рязань (4912)46-61-64
Самара (846)206-03-16
Санкт-Петербург (812)309-46-40
Саратов (845)249-38-78
Севастополь (8692)22-31-93
Симферополь (3652)67-13-56
Смоленск (4812)29-41-54
Сочи (862)225-72-31
Ставрополь (8652)20-65-13

Сургут (3462)77-98-35
Тверь (4822)63-31-35
Томск (3822)98-41-53
Тула (4872)74-02-29
Тюмень (3452)66-21-18
Ульяновск (8422)24-23-59
Уфа (347)229-48-12
Хабаровск (4212)92-98-04
Челябинск (351)202-03-61
Череповец (8202)49-02-64
Ярославль (4852)69-52-93

Киргизия (996)312-96-26-47 Казахстан (772)734-952-31 Таджикистан (992)427-82-92-69

<http://dahua.nt-rt.ru> || dhg@nt-rt.ru